



F38/FG38/FG39 shown with optional brushed nickel louvres



F38/FG38/FG39

Gas Freestanding Fireplaces

These Regency gas log fires feature the finest, most realistic flame picture available. Enjoy the exceptional view through the wide one piece glass door designed to showcase the glowing flames and embers. Choose manual or electronic ignition and one of two flue options to ensure the right Regency for you.

STANDARD FEATURES

- Natural gas
- Enhanced log set and embers
- Ceramic glass
- Dress guard
- Flame adjustment
- Black louvres
- 3-speed fan
- F38 7.7kW 38 MJ NG/6.4kW 31 MJ LPG
 - Manual ignition
 - Natural draft flue system
- FG38 8.1kW 38 MJ NG / 31 MJ LPG
 - Electronic ignition
 - Natural draft flue system
- FG39 8.4kW 40MJ NG /7.9kW 38 MJ LPG
 - Electronic ignition
 - Direct vent room sealed technology

OPTIONS

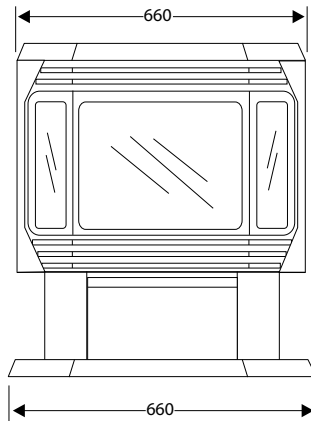
- Brushed nickel louvres
- Advanced RF remote control (F38 only)
- FireGenie® remote control (FG38/FG39)
- LPG conversion kit

Technical Specifications (mm)

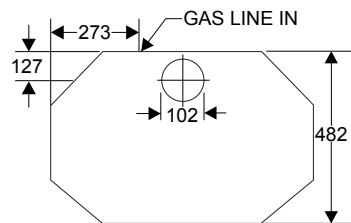
F38 / FG38 / FG39

MEASUREMENTS

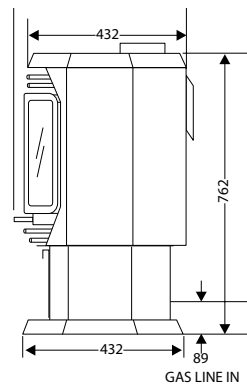
Front View



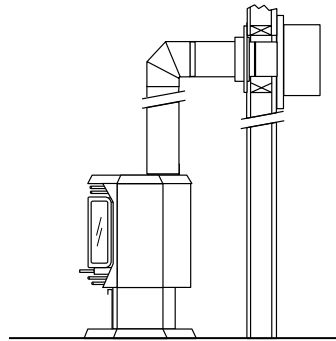
Top View



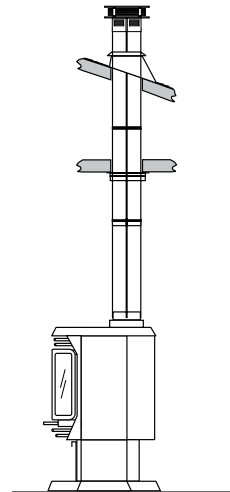
Side View



FLUE OPTIONS



FG39 only



F38/FG39

REMOTE CONTROL

The FireGenie® RF (Radio Frequency) Remote Control is programmable up to 7 days a week, including two time zones per day. The remote can be operated from another room, automatically modulating the temperature of your Gas Fire, increasing efficiency and reducing running costs. It also allows you to set and maintain a desired temperature, as well as adjust the flame height and fan speed.



Optional FireGenie® remote control (for FG38/FG39).
Advanced RF Remote control available for F38 only.

your Regency dealer

to find your nearest dealer visit:
www.regency-fire.co.nz
or call 0800 161 161

NZ Distributor:
Aber Holdings Ltd, Hamilton.